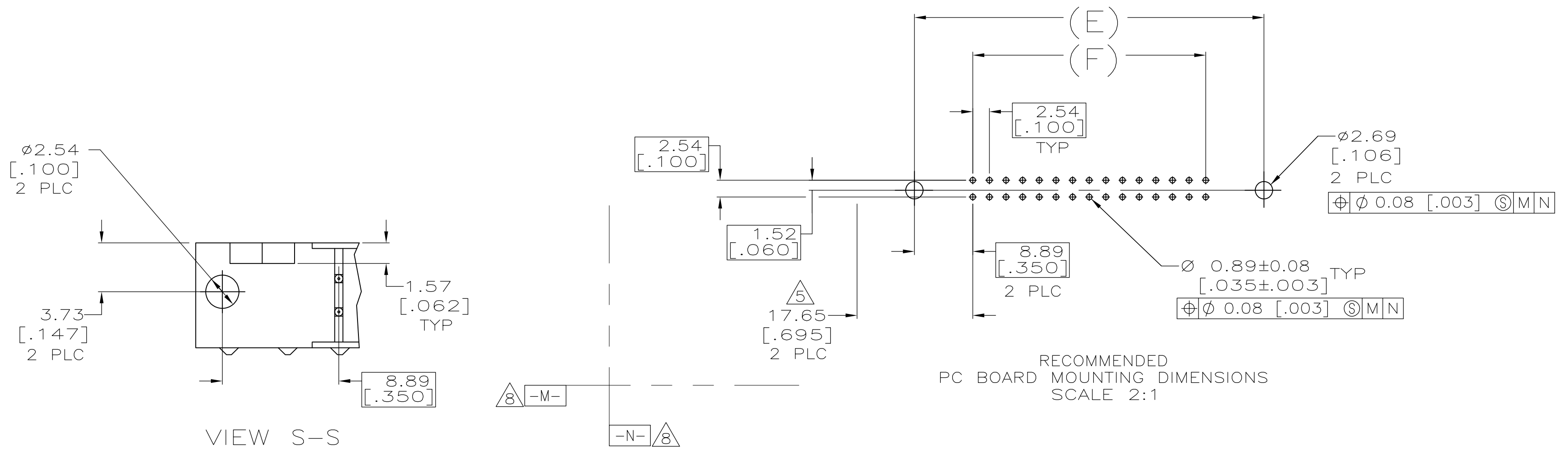
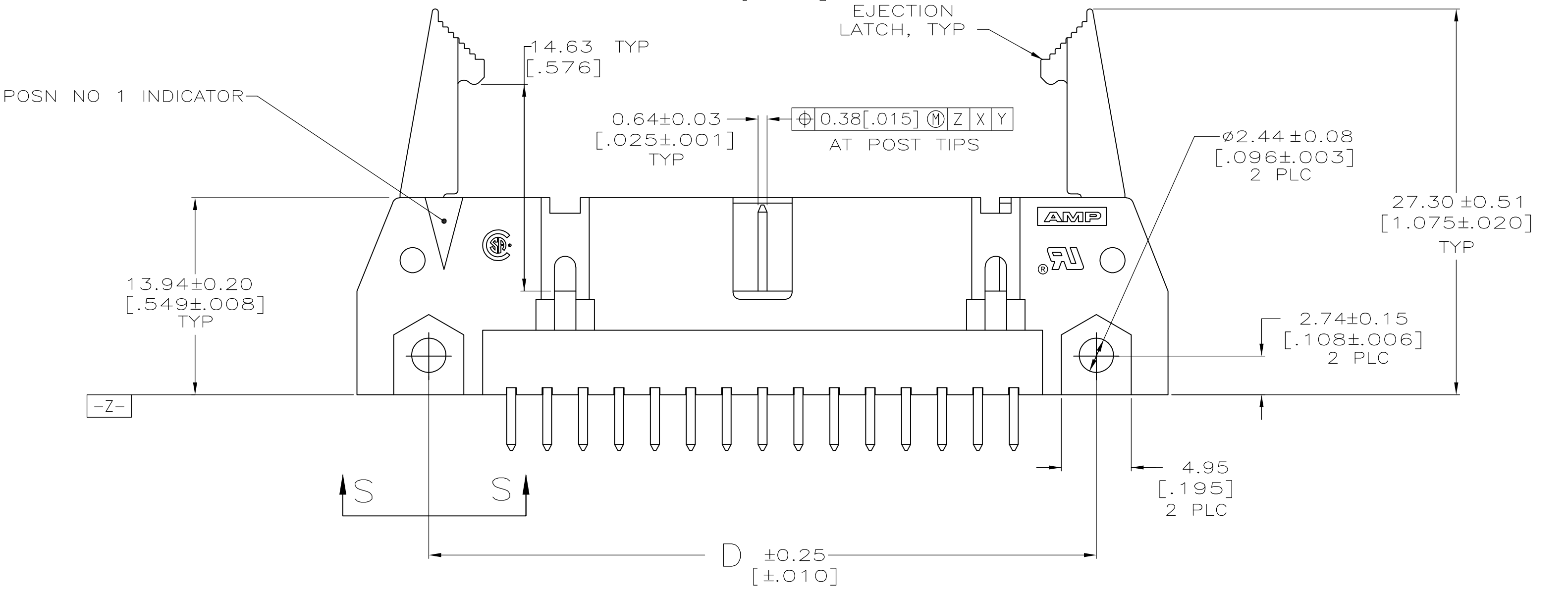
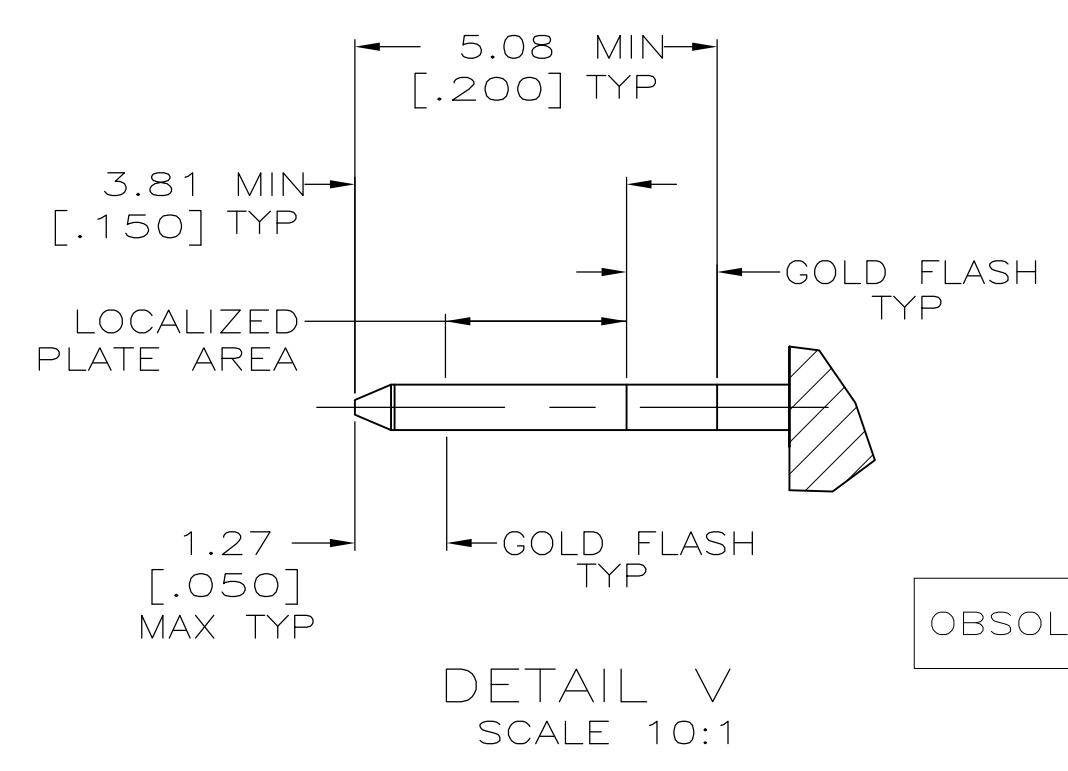
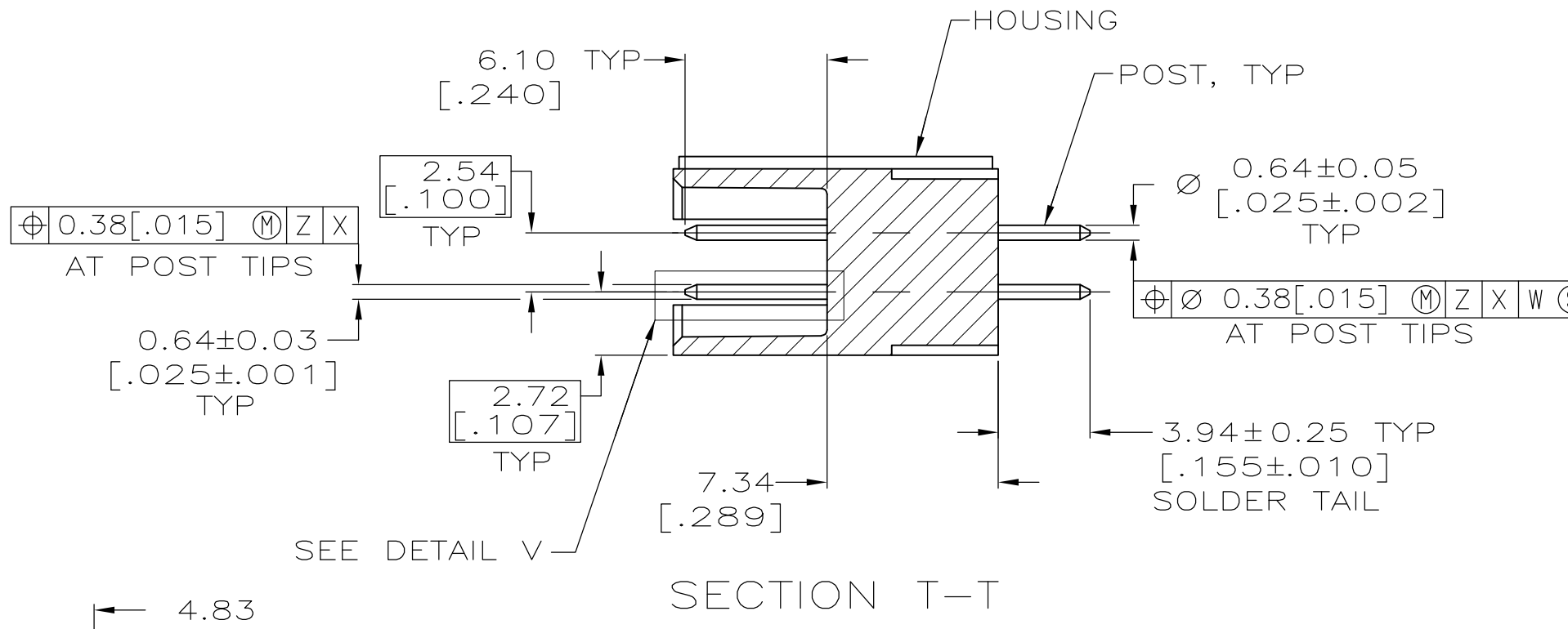
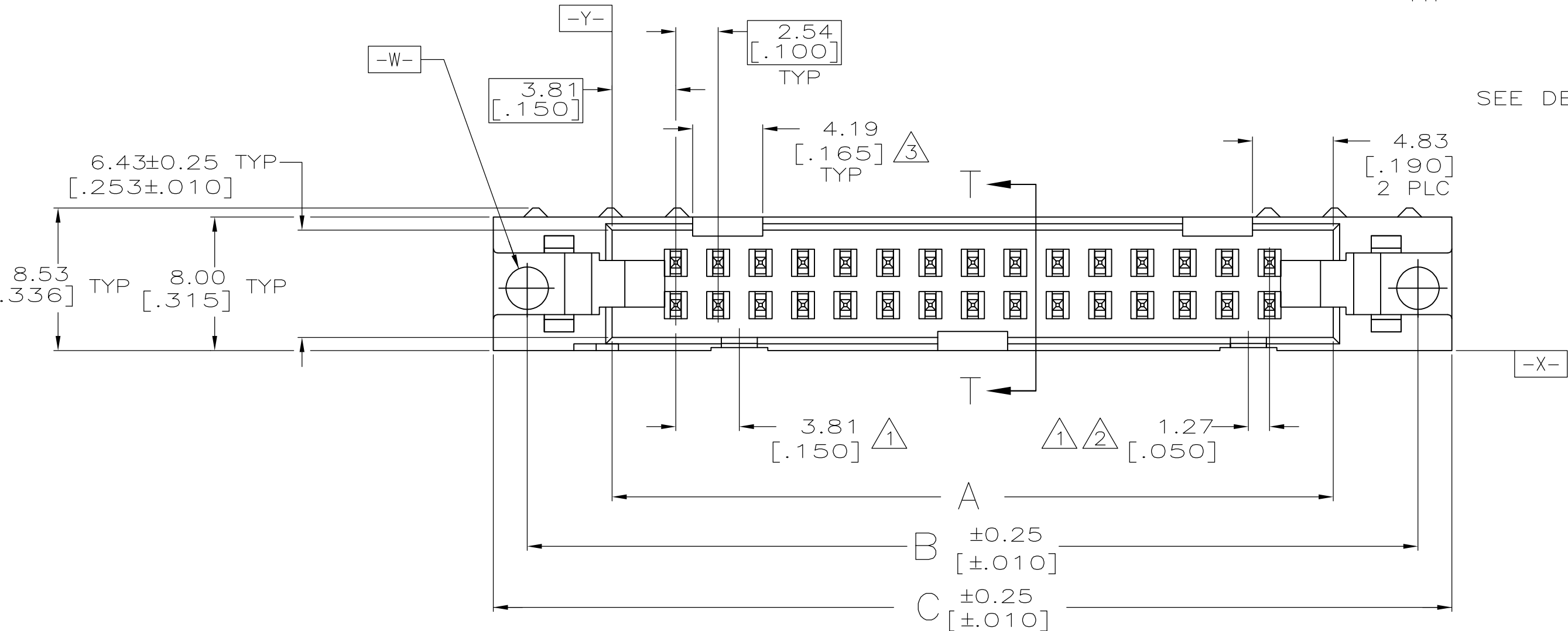


EJECTION LATCHES OMITTED IN THIS VIEW FOR CLARITY



- 1 COORDINATE DIMENSION APPLIES FROM BASIC LOCATION.
- 2 10 AND 14 POSITION SIZES CONTAIN ONLY ONE SLOT FOR SNAP-IN POLARIZER (MILITARY POLARIZATION) LOCATED AS SHOWN.
- 3 10 POSITION SIZE CONTAINS ONLY ONE SLOT FOR DUAL POLARIZATION, LOCATED AS SHOWN.
- 4. RECOMMENDED PRINTED CIRCUIT BOARD THICKNESS IS 3.18 [.125].
- 5 DISTANCE REQUIRED BY EJECTION LATCHES IN THE OPEN POSITION.
- 6 HOUSING & LATCHES: GLASS FILLED NYLON OR POLYESTER, UL94V-0 RATED, COLOR: SEE TABLE. POSTS: PH BRZ OR BRASS
- 7 POSTS: GOLD FLASH OVER PALLADIUM-NICKEL PLATE, 0.76µm [.000030] MIN TOTAL ON THE LOCALIZED PLATE AREA, 2.54µm [.000100] MIN TIN PLATE ON THE SOLDER-TAIL, 1.27µm [.000050] MIN NICKEL UNDERPLATE ON THE ENTIRE POST.  
-OR-  
0.76µm [.000030] MIN GOLD PLATE ON THE LOCALIZED PLATE AREA, 2.54µm [.000100] MIN TIN PLATE ON THE SOLDER-TAIL, 1.27µm [.000050] MIN NICKEL UNDERPLATE ON THE ENTIRE POST.
- 8 DATUMS -M- & -N- TO BE ESTABLISHED BY CUSTOMER.

		53.34	71.12	65.02	75.18	71.12	60.96		
		[2.100]	[2.800]	[2.560]	[2.960]	[2.800]	[2.400]		
	BLUE	53.34	71.12	65.02	75.18	71.12	60.96	44	3-5102321-3
OBSOLETE	BLUE	78.74	96.52	90.42	100.58	96.52	86.36	64	3-5102321-2
	BLUE	73.66	91.44	85.34	95.50	91.44	81.28	60	3-5102321-1
	BLUE	60.96	78.74	72.64	82.80	78.74	68.58	50	3-5102321-0
OBSOLETE	BLUE	48.26	66.04	59.94	70.10	66.04	55.88	40	2-5102321-9
OBSOLETE	BLUE	40.64	58.42	52.32	62.48	58.42	48.26	34	2-5102321-8
	BLUE	35.56	53.34	47.24	57.40	53.34	43.18	30	2-5102321-7
	BLUE	30.48	48.26	42.16	52.32	48.26	38.10	26	2-5102321-6
	BLUE	22.86	40.64	34.54	44.70	40.64	30.48	20	2-5102321-4
	BLUE	17.78	35.56	29.46	39.62	35.56	25.40	16	2-5102321-3
	BLUE	15.24	33.02	26.92	37.08	33.02	22.86	14	2-5102321-2
	BLUE	10.16	27.94	21.84	32.00	27.94	17.78	10	2-5102321-1
	BLACK	78.74	96.52	90.42	100.58	96.52	86.36	64	1-5102321-2
	BLACK	73.66	91.44	85.34	95.50	91.44	81.28	60	1-5102321-1
	BLACK	60.96	78.74	72.64	82.80	78.74	68.58	50	1-5102321-0
	BLACK	48.26	66.04	59.94	70.10	66.04	55.88	40	5102321-9
	BLACK	40.64	58.42	52.32	62.48	58.42	48.26	34	5102321-8
	BLACK	35.56	53.34	47.24	57.40	53.34	43.18	30	5102321-7
	BLACK	30.48	48.26	42.16	52.32	48.26	38.10	26	5102321-6
	BLACK	27.94	45.72	39.62	49.78	45.72	35.56	24	5102321-5
	BLACK	22.86	40.64	34.54	44.70	40.64	30.48	20	5102321-4
	BLACK	17.78	35.56	29.46	39.62	35.56	25.40	16	5102321-3
	BLACK	15.24	33.02	26.92	37.08	33.02	22.86	14	5102321-2
	BLACK	10.16	27.94	21.84	32.00	27.94	17.78	10	5102321-1
COLOR	F	E	D	C	B	A		NO OF POSN	PART NUMBER

THIS DRAWING IS A CONTROLLED DOCUMENT.

DWN: G. ATTADIA - DOCK5 01-07-05  
 DRK: S. BOLASH 01-07-05  
 APVD: M. WALMSLEY 01-07-05

**STE** TE Connectivity

PRODUCT SPEC: 108-40018  
 APPLICATION SPEC: -  
 SIZE: A1  
 CAGE CODE: 00779  
 DRAWING NO: 5102321

REVISIONS: 108-40018  
 APPLICATION SPEC: -

MATERIAL: -  
 FINISH: -  
 WEIGHT: -  
 CUSTOMER DRAWING

SCALE: 4:1 SHEET 1 OF 1 REV E1